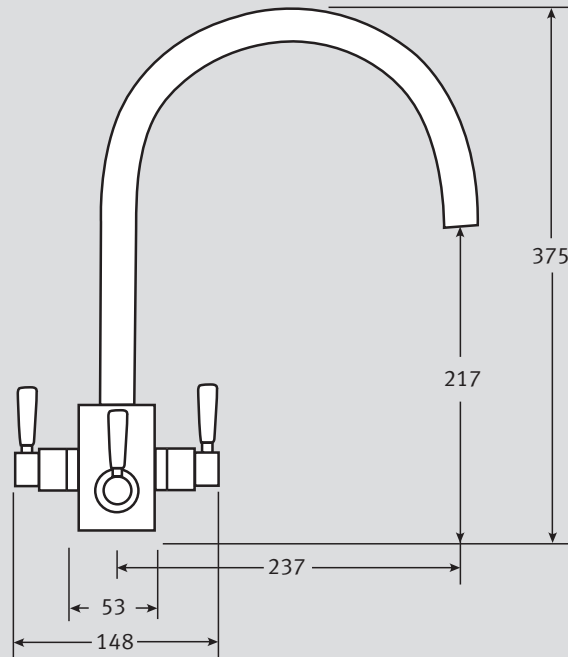


# Franke Triflow Olympus Tap Specifications

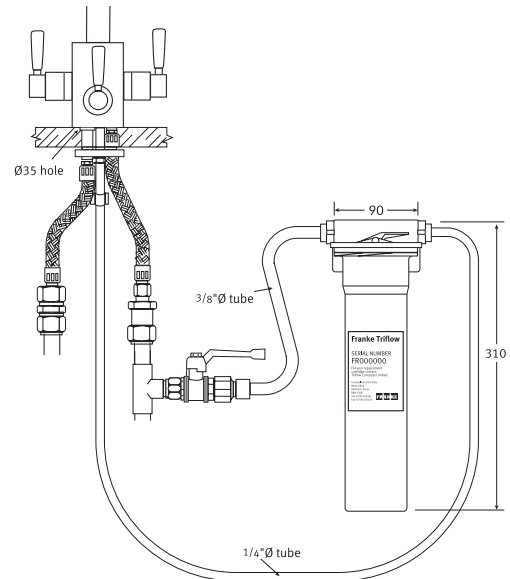
- 3 handled quarter turn mixer
- Provides Hot, Cold and Purified water from a single mixer
- Dedicated handle and spout outlet for purified water
- Includes an integrated Filter System
- Exceptional Filtration capability to 0.2 micron
- Compatible with most Franke sinks
- Available in Chrome or SilkSteel
- Biflow spout
- Meets all certification approval requirements
- Requires cut-out:  $\varnothing 35\text{mm}$
- Fully guaranteed with nationwide servicing



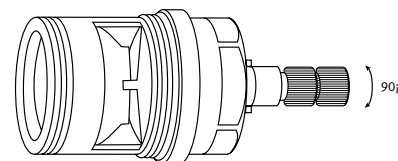
<b>Material:</b>	Solid brass machined body and tubular brass spout
<b>Type:</b>	Quarter turn mixer
<b>Spout:</b>	Biflow tubular spout with bayonet and screw fitting
<b>Tails:</b>	Flexi tails
<b>Tap Height:</b>	217 (overall tap height 375)
<b>Spout Reach:</b>	237
<b>Handle Width:</b>	148
<b>Colours:</b>	Chrome or SilkSteel
<b>Maximum Water Pressure:</b>	75 PSI (5 bar)
<b>Maximum Hot-Water Temperature:</b>	70°C
<b>Recommended Hot-Water Temperature:</b>	65°C
<b>Guarantee:-</b>	<b>Ceramic mechanism:</b> 5 year <b>Surface:</b> 1 year
<b>Joints:</b>	It is recommended that compression fittings are used to link the tap to the supply

Some taps may require bracing to avoid flexing of the sink ledge

## Tails:



## Valve Mechanism:



\*Avilion: 01708 526361

All Franke taps are designed to conform with Water Research Council requirements

NB. Ceramic disc taps in certain installations or where there is a low head of water (below 4 metres) may not provide adequate flow rates. You are advised to check with your supplier.